

FEATURES

- Very Low Noise
- Very Small Size
- Few External Components
- Wide Supply Voltage Range (0.9 to 10 V)
- Sinewave Oscillator
- Selectable Output Voltages

DESCRIPTION

The TK11821 is a low power, low input voltage DC-DC converter. The device has been optimized for variable capacitance diode and PIN photodiode bias applications. It generates 10 Vdc and 24 Vdc output voltages from an input voltage as low as 0.9 V.

Since the built-in high frequency oscillator generates sinewaves, the TK11821 produces very low RF interference noise. The internal oscillator is capable of operation at frequencies as high as 6-8 MHz, therefore, interference filtering is simple and effective. This unique feature makes the TK11821 ideally suitable for RF and fiber optic receiver applications.

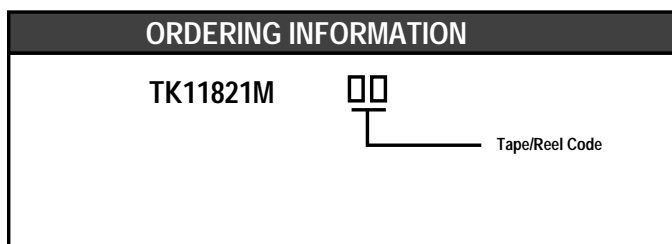
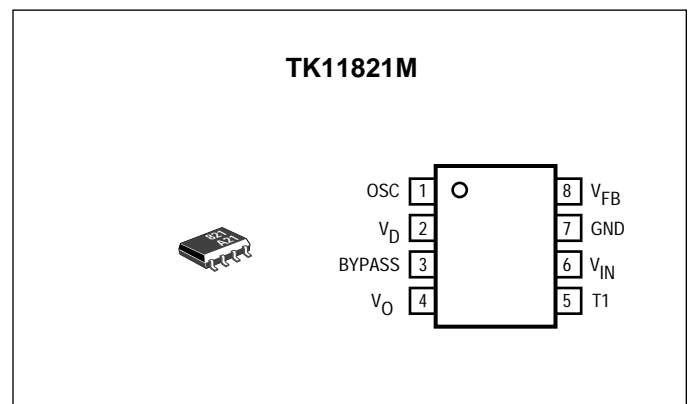
The device is capable of operation in the 0.9 to 10 V power supply voltage range.

The output voltage is 24 V when T1 is not connected. When T1 is connected to V_O , the output voltage is set to 10 V.

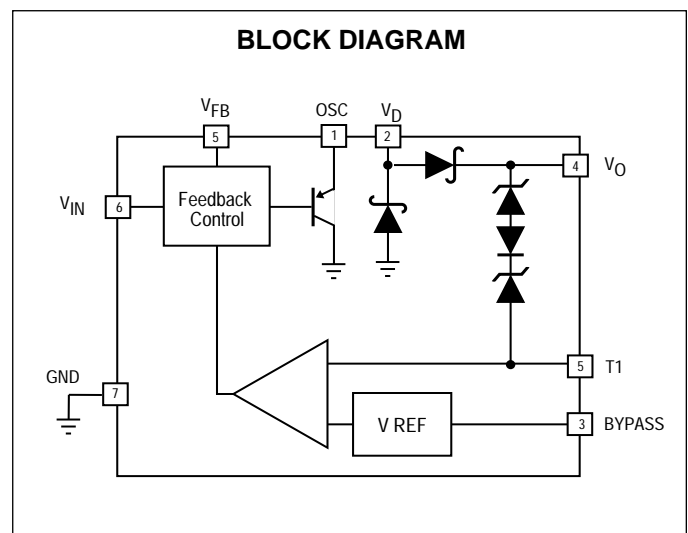
The TK11821 is available in an 8-pin plastic surface mount (MFP-8) package. External inductive components are also available.

APPLICATIONS

- Variable Capacitance and PIN Photodiode Bias
- Portable Instrumentation
- Radio Control Systems
- Mobile Radios
- Cellular Telephones
- Cordless Telephones
- Fiberoptic Receivers
- Local Area Network (LAN) Receivers
- Battery Operated Equipment



TAPE/REEL CODE
 BX: Bulk/Bag
 TL: Tape Left
 MG: Magazine



ABSOLUTE MAXIMUM RATINGS

Input Voltage	10 V	Junction Temperature	150 °C
Output Voltage	26 V	Storage Temperature Range	-55 to +150 °C
Output Current	0.5 mA	Operating Temperature Range	-20 to +70 °C
Operating Voltage Range	0.9 to 10 V	Lead Soldering Temp. (10 sec.)	260 °C
Power Dissipation (Note 1)	350 mW		

ELECTRICAL CHARACTERISTICS

Test conditions: $V_{IN} = 0.9\text{ V} \rightarrow 2.0\text{ V}$

Operating Conditions: $V_{IN} = 1.1\text{ V}$, $T_A = 25\text{ °C}$ unless otherwise specified.

SYMBOL	PARAMETER	TEST CONDITIONS	MIN	TYP	MAX	UNITS
I_{CC}	Input Current	$I_O = 0$, $V_O = 10\text{ V}$		3.5	7.0	mA
		$I_O = 50\text{ }\mu\text{A}$, $V_O = 10\text{ V}$		5.5	9.0	mA
V_O	Output Voltage	$I_O = 0\text{ }\mu\text{A}$, $1.6\text{ V} \leq V_{IN} \leq 2.0\text{ V}$	22.5	24.0	25.5	V
		$V_O - T1$ shorted, $I_O = 50\text{ }\mu\text{A}$	9.6	10.0	10.4	V
I_O	Output Current	$V_O - T1$ shorted	90	100		μA
Load Reg	Load Regulation	Note 2		0.1	0.35	%
$\Delta V_O/T_A$	Output Voltage Temperature Dependency	$V_O = 24\text{ V}$, $I_O = 50\text{ }\mu\text{A}$		+2.3		mV/°C
		$V_O = 10\text{ V}$, $I_O = 50\text{ }\mu\text{A}$		-1.5		mV/°C
V_{OSC-S}	Oscillation Starting Voltage	$I_O = 0\text{ }\mu\text{A}$	0.75			V
f_{OSC}	Oscillation Frequency	$I_O = 0\text{ }\mu\text{A}$, Note 2		4.0		MHz

ELECTRICAL CHARACTERISTICS

Test conditions: $V_{IN} = 1.8\text{ V} \rightarrow 10.0\text{ V}$

Operating Conditions: $V_{IN} = 3.0\text{ V}$, $T_A = 25\text{ °C}$ unless otherwise specified.

SYMBOL	PARAMETER	TEST CONDITIONS	MIN	TYP	MAX	UNITS
I_{CC}	Input Current	$I_O = 0$, $V_O = 10\text{ V}$		3.5	7.0	mA
		$I_O = 50\text{ }\mu\text{A}$, $V_O = 10\text{ V}$		5.5	9.0	mA
V_O	Output Voltage	$I_O = 0\text{ }\mu\text{A}$, $1.6\text{ V} \leq V_{IN} \leq 2.0\text{ V}$	22.5	24.0	25.5	V
		$V_O - T1$ shorted, $I_O = 50\text{ }\mu\text{A}$	9.6	10.0	10.4	V
I_O	Output Current	$V_O - T1$ shorted	90	100		μA
Load Reg	Load Regulation	Note 2		0.1	0.35	%
$\Delta V_O/T_A$	Output Voltage Temperature Dependency	$V_O = 24\text{ V}$, $I_O = 50\text{ }\mu\text{A}$		+2.3		mV/°C
		$V_O = 10\text{ V}$, $I_O = 50\text{ }\mu\text{A}$		-1.5		mV/°C
V_{OSC-S}	Oscillation Starting Voltage	$I_O = 0\text{ }\mu\text{A}$	1.5			V
f_{OSC}	Oscillation Frequency	$I_O = 0\text{ }\mu\text{A}$, Note 2		3.5		MHz

Note 1: Power dissipation must be derated at the rate of 3 mW/°C for operation at $T_A = 25\text{ °C}$ and above.

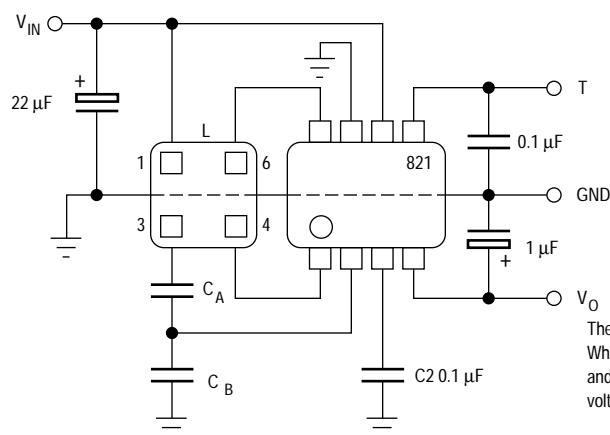
Note 2: Use the same value for L that was used in the measurement circuit.

Note 3: Output Voltage Variation = $(\Delta V_{O1}/V_{O1}) \times 100$ (%), $\Delta V_{O1} = V_{O1}$ (no load) - V_{O1} ($I_O = 50\text{ }\mu\text{A}$).

Note 4: The circuit constants will be changed by the input voltage at the 0.9 V to 2.0 V range and 1.8 V to 10 V range.

TEST CIRCUIT

The value of the circuit constants against the input voltage.

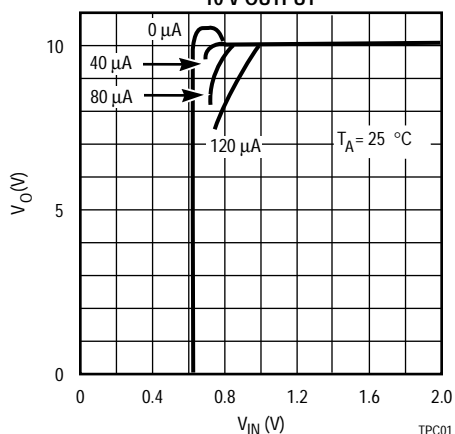


INPUT VOLTAGE	C _A	C _B	TOKO COIL PART NUMBER
0.9 V to 2 V	33 pF	10 pF	PS5CDLN-1250
1.8 V to 10 V	820 pF	33 pF	PS5CDLN-1303

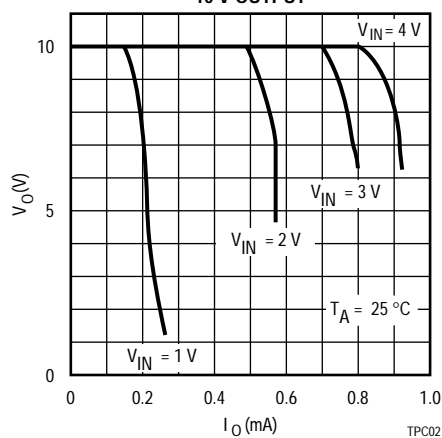
The output voltage is 24 V. When connected between the V_O and the T terminal, the output voltage will be 10 V.

TYPICAL PERFORMANCE CHARACTERISTICS

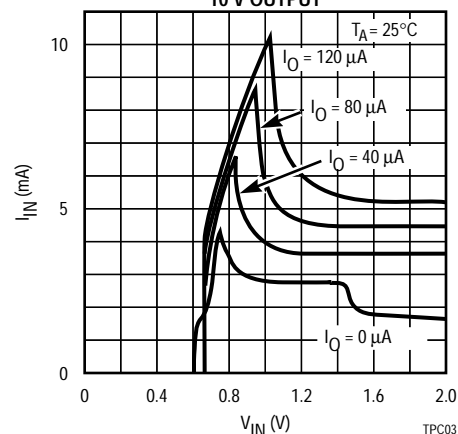
OUTPUT VOLTAGE vs. INPUT VOLTAGE
10 V OUTPUT



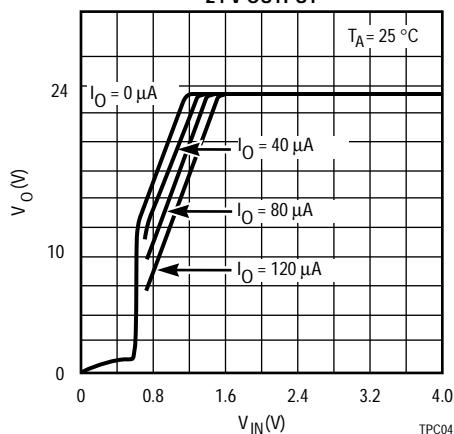
OUTPUT VOLTAGE vs. OUTPUT CURRENT
10 V OUTPUT



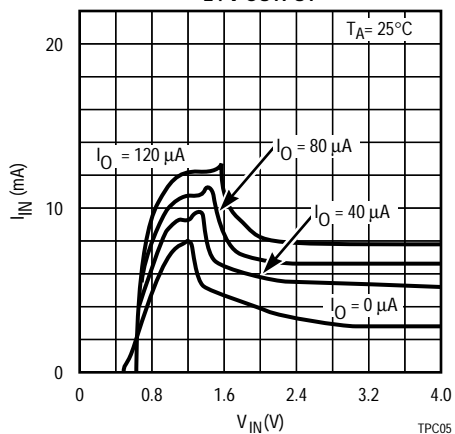
INPUT CURRENT vs. INPUT VOLTAGE
10 V OUTPUT



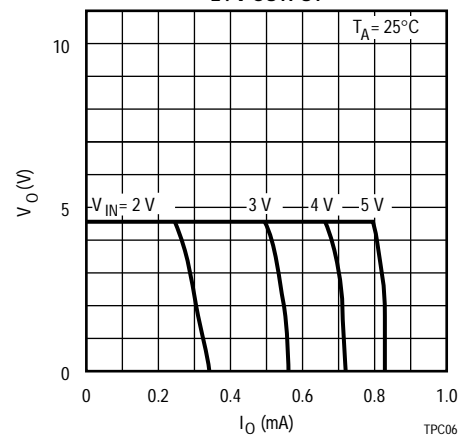
OUTPUT VOLTAGE vs. INPUT VOLTAGE
24 V OUTPUT



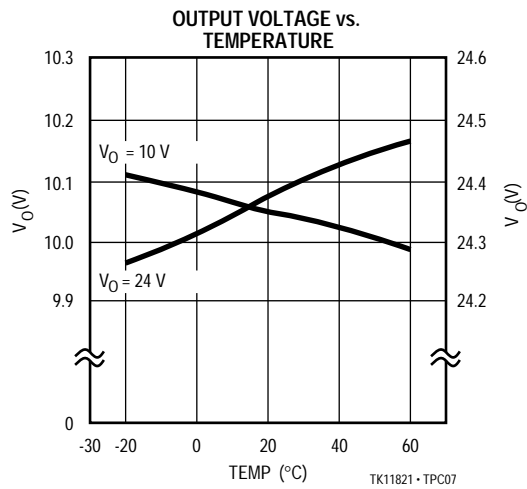
INPUT CURRENT vs. INPUT VOLTAGE
24 V OUTPUT



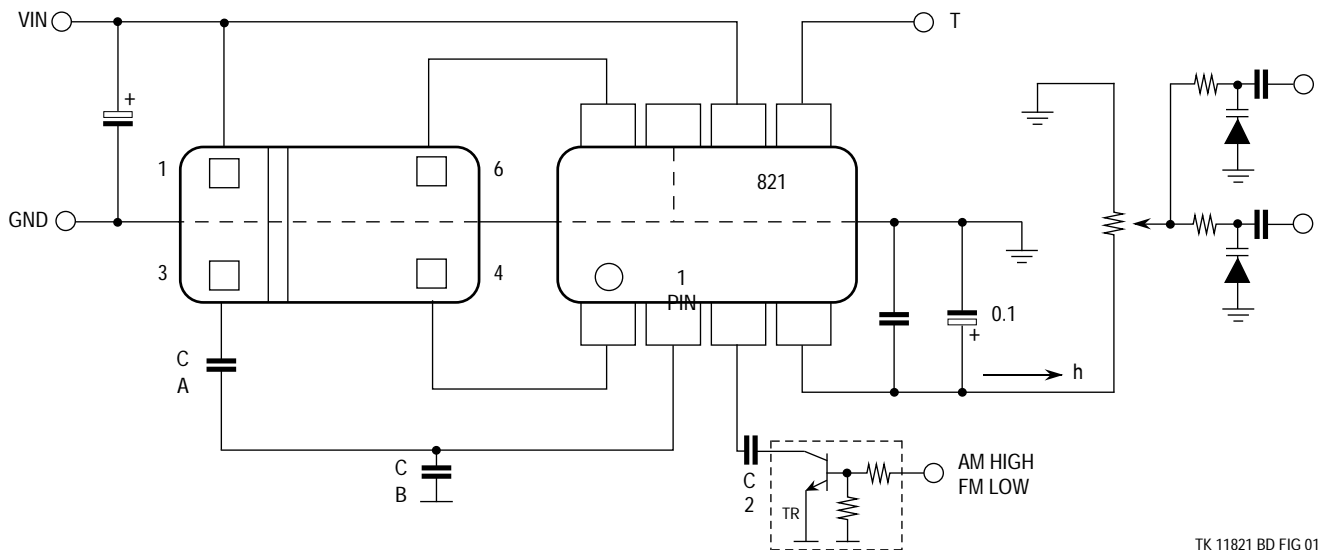
OUTPUT VOLTAGE vs. OUTPUT CURRENT
24 V OUTPUT



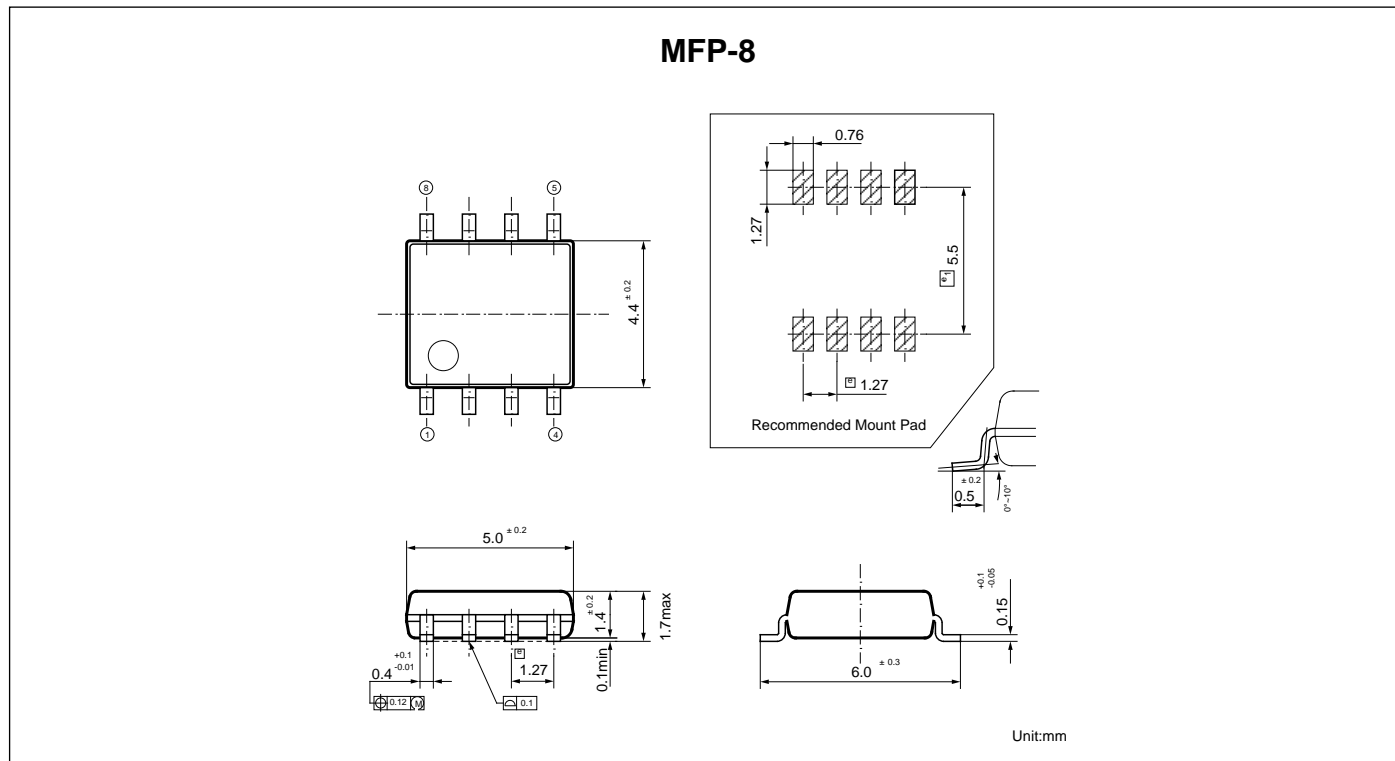
TYPICAL PERFORMANCE CHARACTERISTICS (CONT.)



TYPICAL AM/FM VARACTOR DIODE BIAS CIRCUIT



PACKAGE OUTLINES



Marking Information
821

The information furnished by TOKO, Inc. is believed to be accurate and reliable. However, TOKO reserves the right to make changes or improvements in the design, specification or manufacture of its products without further notice. TOKO does not assume any liability arising from the application or use of any product or circuit described herein, nor for any infringements of patents or other rights of third parties which may result from the use of its products. No license is granted by implication or otherwise under any patent or patent rights of TOKO, Inc.

TOKO

YOUR LOCAL REPRESENTATIVE IS:



TOKO America, Inc.
1250 Feehanville Dr.
Mt. Prospect, IL 60056
Tel: (800) PIK-TOKO
Fax: (847) 699-1194